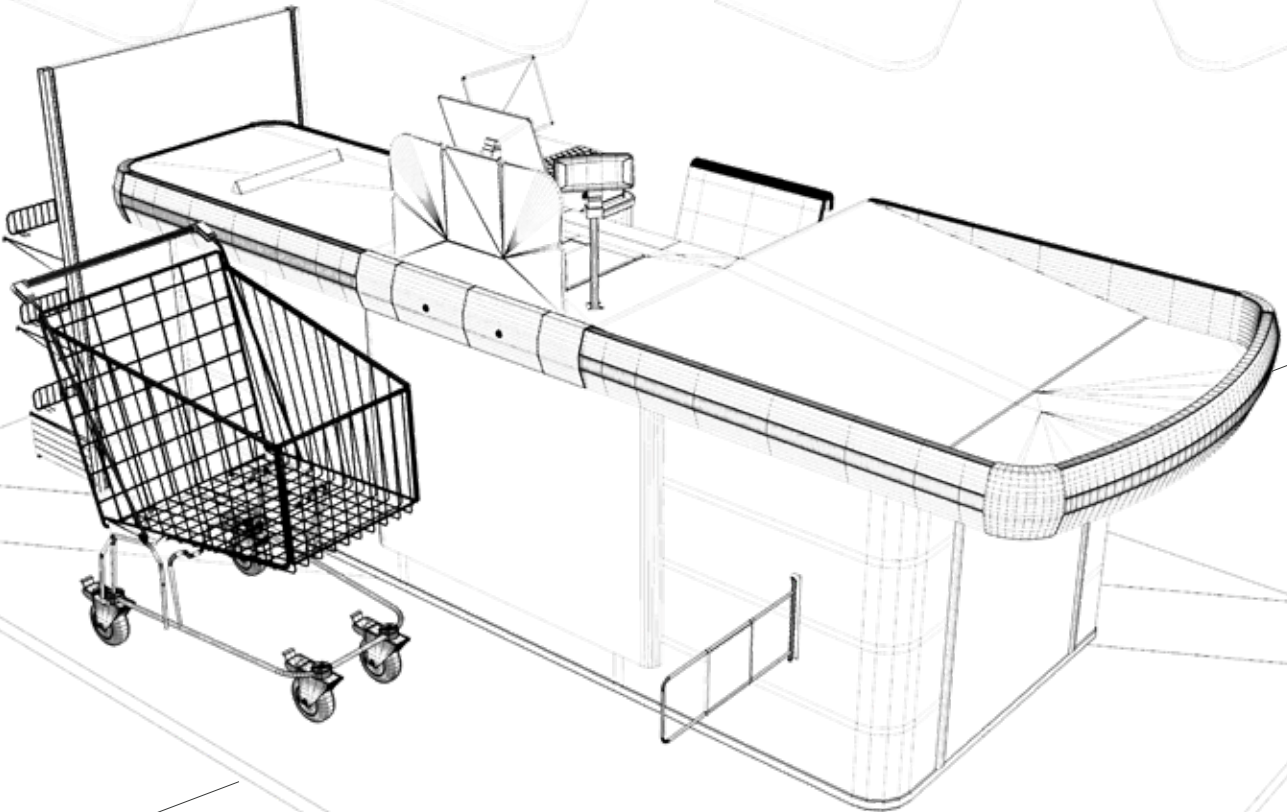


CHECKOUT COUNTERS



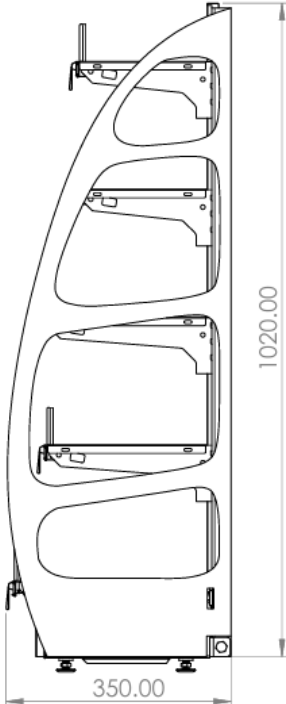
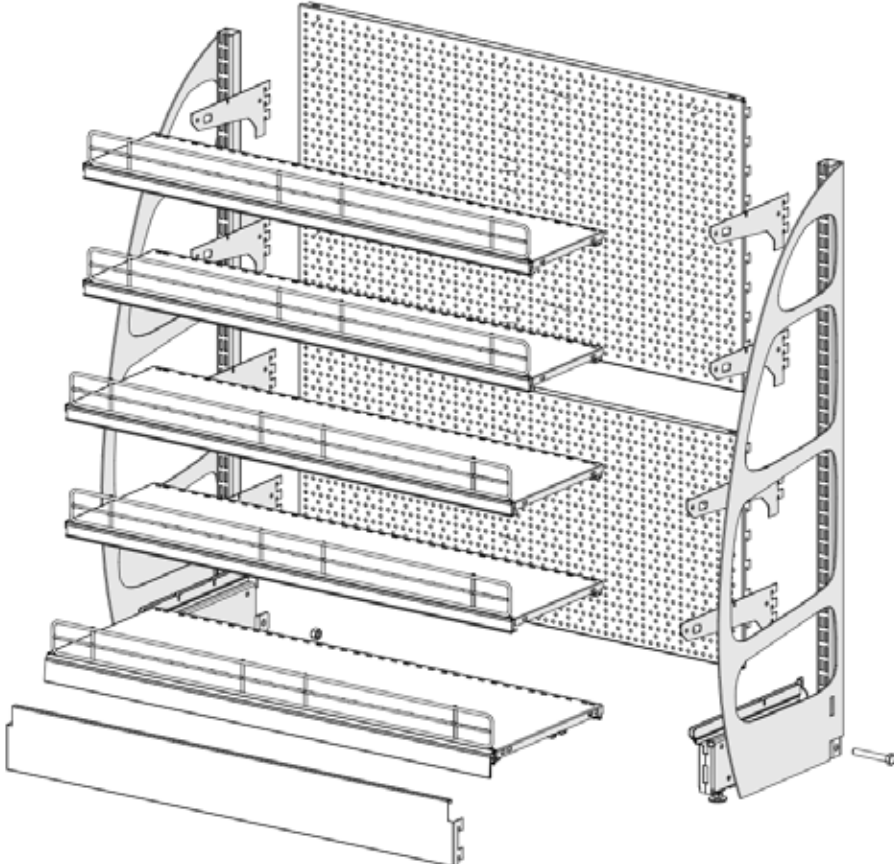
Checkout stands



Checkout stands

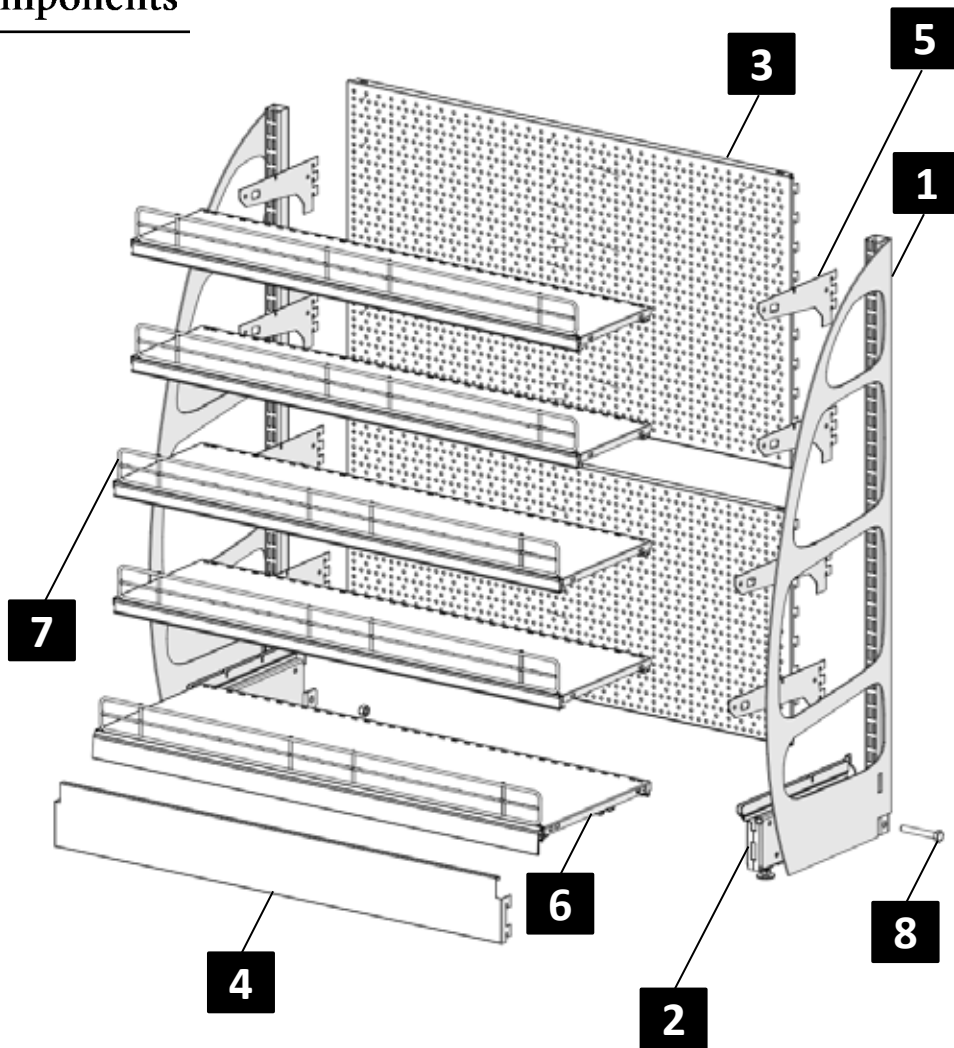
A001

Solid



Checkout stands

A001 components



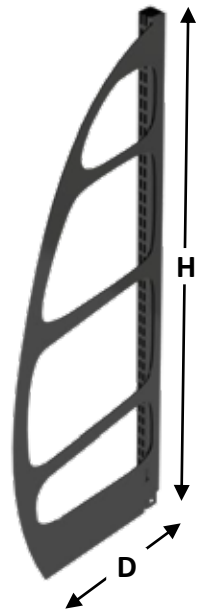
No.	Description	Quantity
1	Upright with decorative side	2
2	Standard base leg	2
3	Perforated backpanel	*According to the unit height
4	Plinth plain	1
5	Bracket	*X2 per shelf
6	Solid shelf	*According to the client need
7	Front riser	*According to the number of shelves
8	M10 Bolt & NUT	2

Checkout stands

A001 components

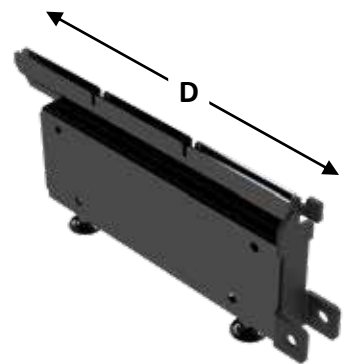
Upright with decorative side

H (mm)	D (mm)	Product Code
515	250	M-ST-CH-16227
615	350	
815	350	M-ST-CH-16228
915	350	M-ST-CH-16229
1015	350	M-ST-CH-16230



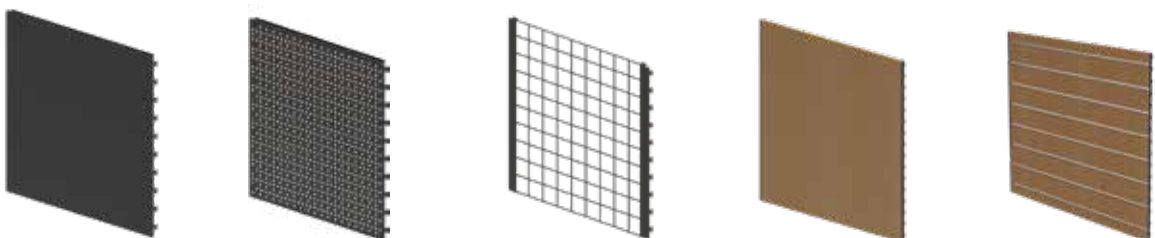
Base leg

D (mm)	Product Code
250	
300	M-F-B-ST-1056



Back panel

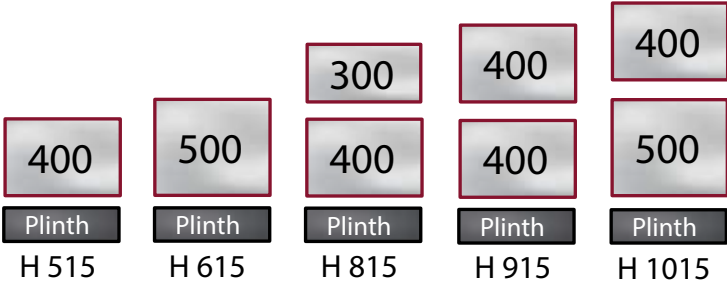
- Compatible with all Frontal system back panels.
- For available Lengths and codes, review the **backpanel** section.



Checkout stands

A001 components

Solid and wire back panel



Wooden back panel

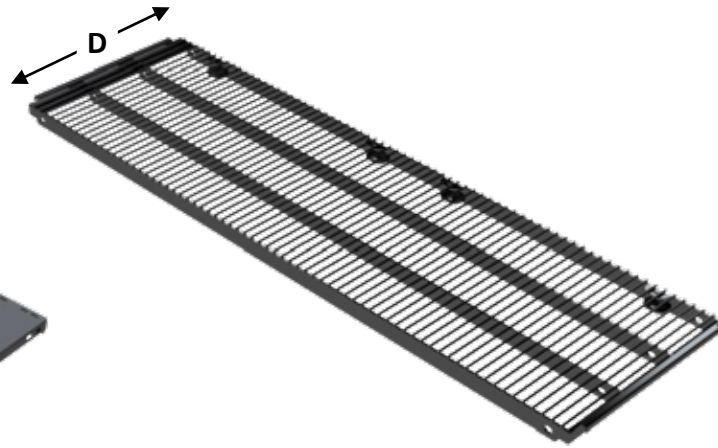
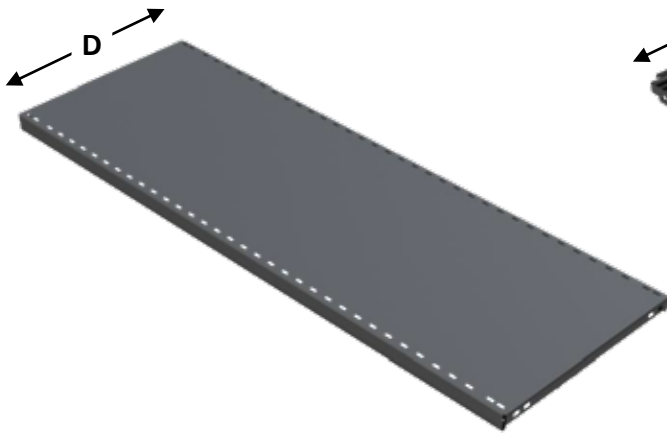


Checkout stands

A001 components

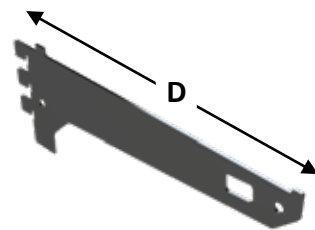
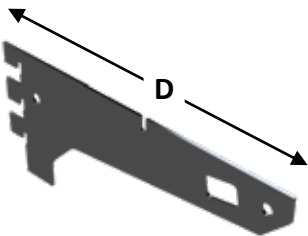
Shelf

- Compatible with **Solid and wire shelf**.
- For available Lengths and codes, review the **Solid and/or wire shelf** section **D200, D250 and D300**.



Bracket

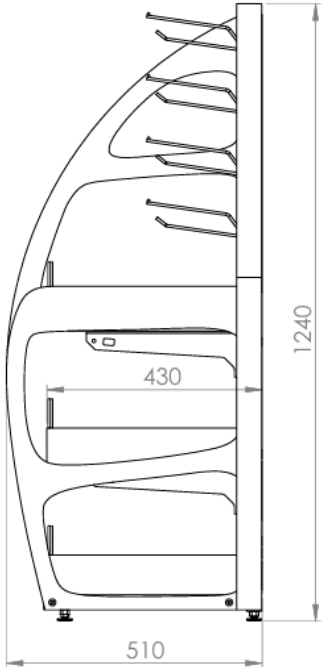
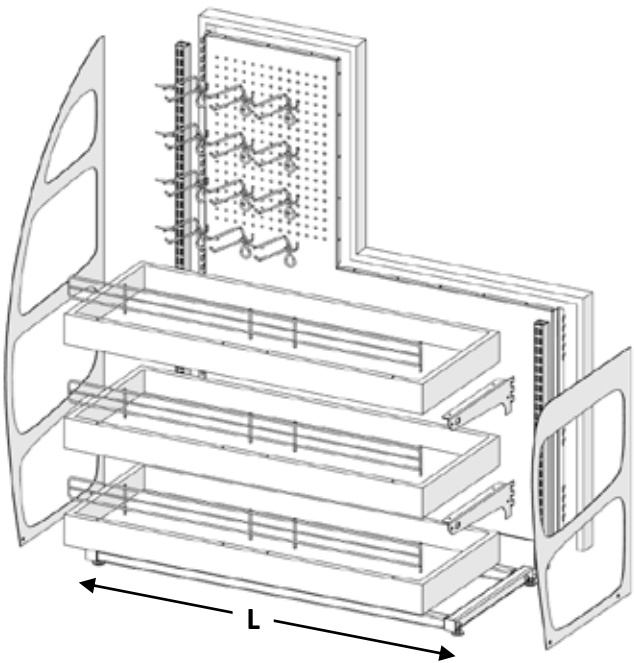
- For available Lengths and codes, review the **bracket** for **Solid and/or wire shelf** section **D200, D250 and D300**.



Checkout stands

A002

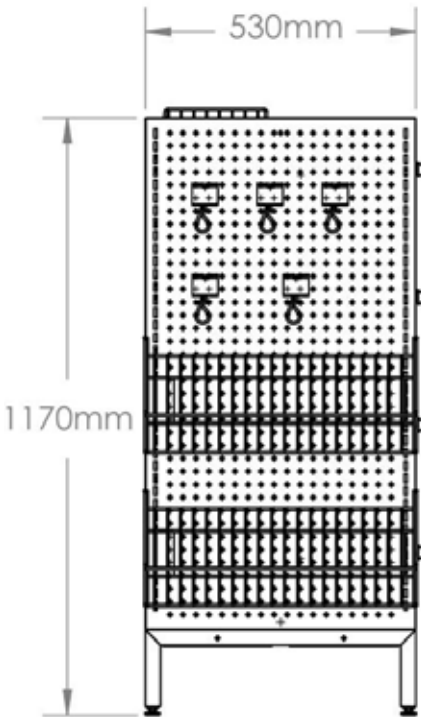
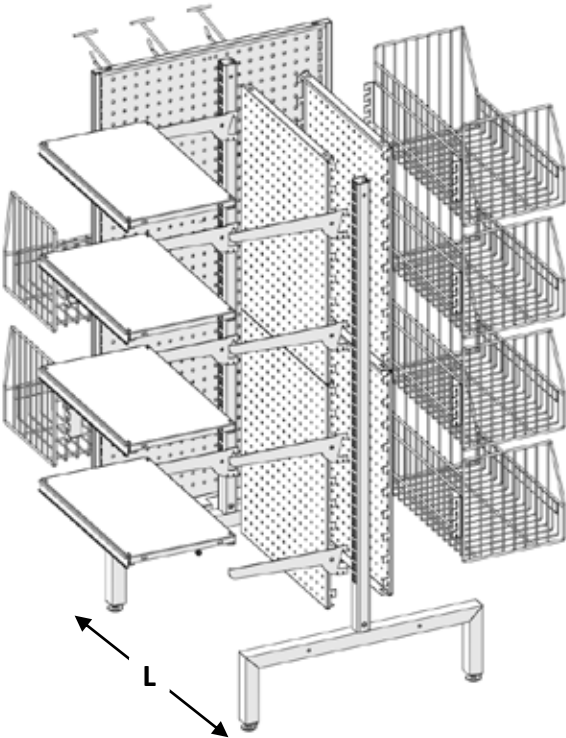
L (mm)	Product Code
1035	



Checkout stands

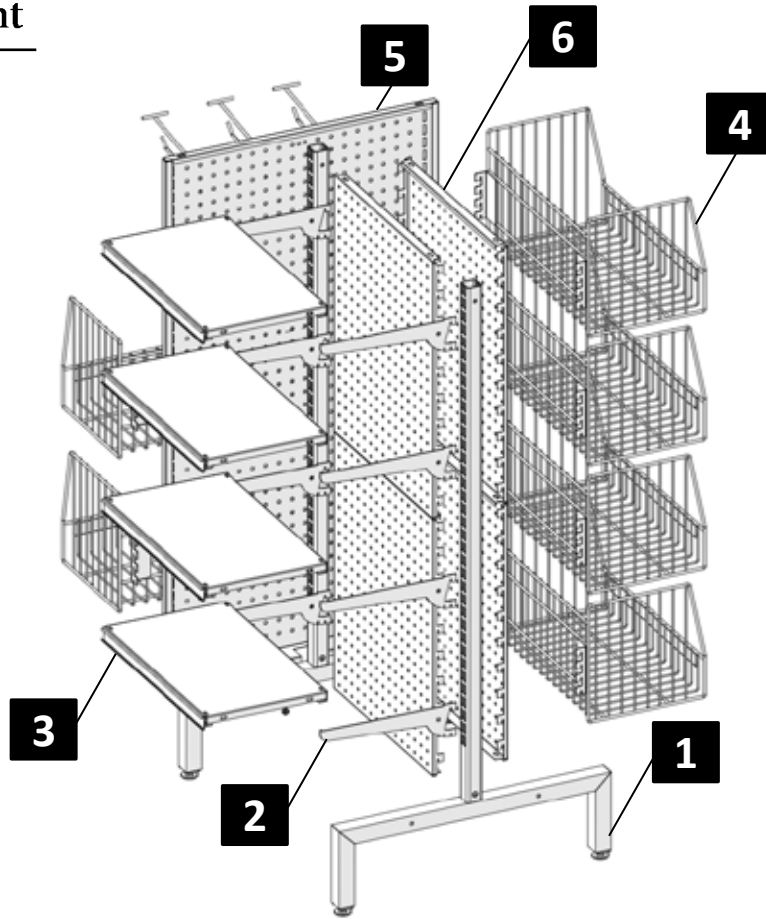
A003

L (mm)	Product Code
430	



Checkout stands

A003 Component



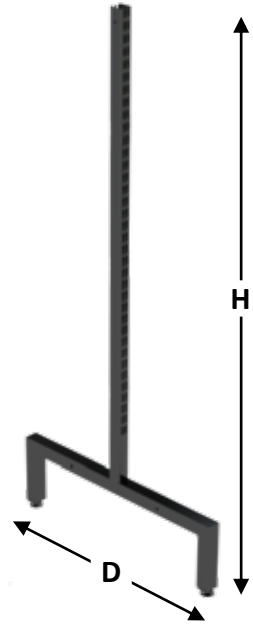
No.	Description	Quantity
1	A003 Upright	2
2	A003 Dual Position bracket	*According to the number of shelves
3	A003 Solid shelf	*According to client need
4	A003 basket	*According to client need
5	A003 perforated back panel	1
6	Perforated back panel	*According to upright hight

Checkout stands

A003 Component

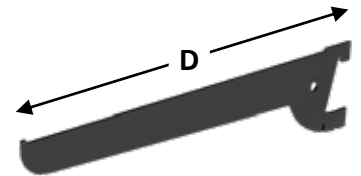
A003 Upright

H (mm)	D (mm)	Product Code
1150	530	M-ST-FK-1012



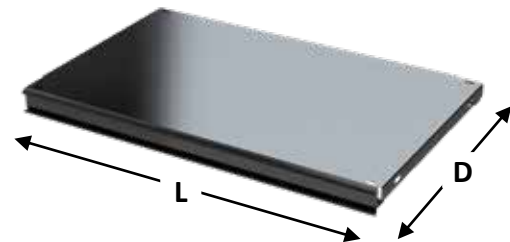
A003 Bracket

D (mm)	Product Code
240	M-ST-BR-1009



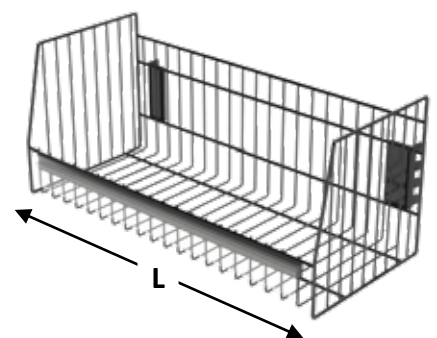
A003 Shelf

D (mm)	L (mm)	Product Code
240	400	M-ST-SH-1013



A003 Basket

L (mm)	Product Code
400	M-ST-FK-1014
530	M-ST-FK-1015

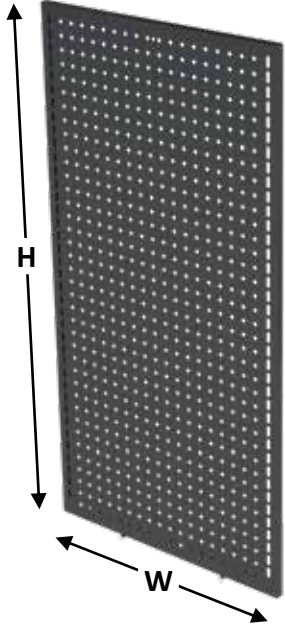


Checkout stands

A003 Component

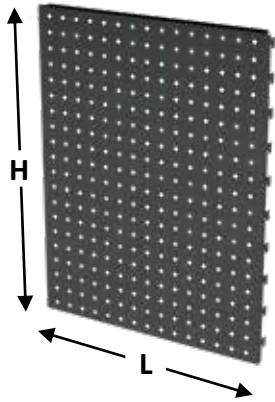
A003 Perforated back panel

H (mm)	W (mm)	Product Code
1000	530	M-ST-FK-1011



Perforated back panel

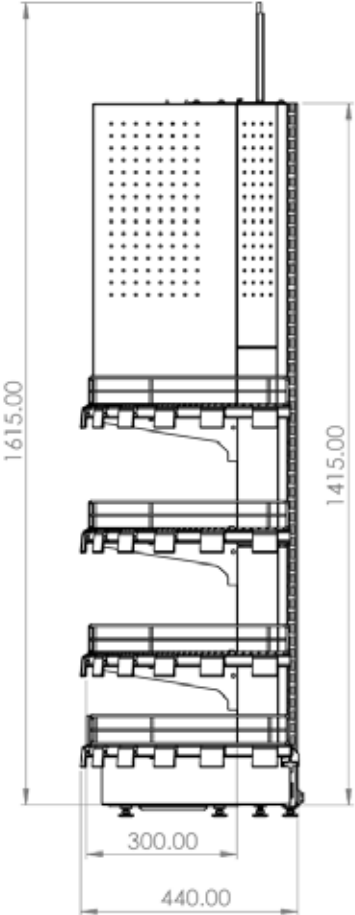
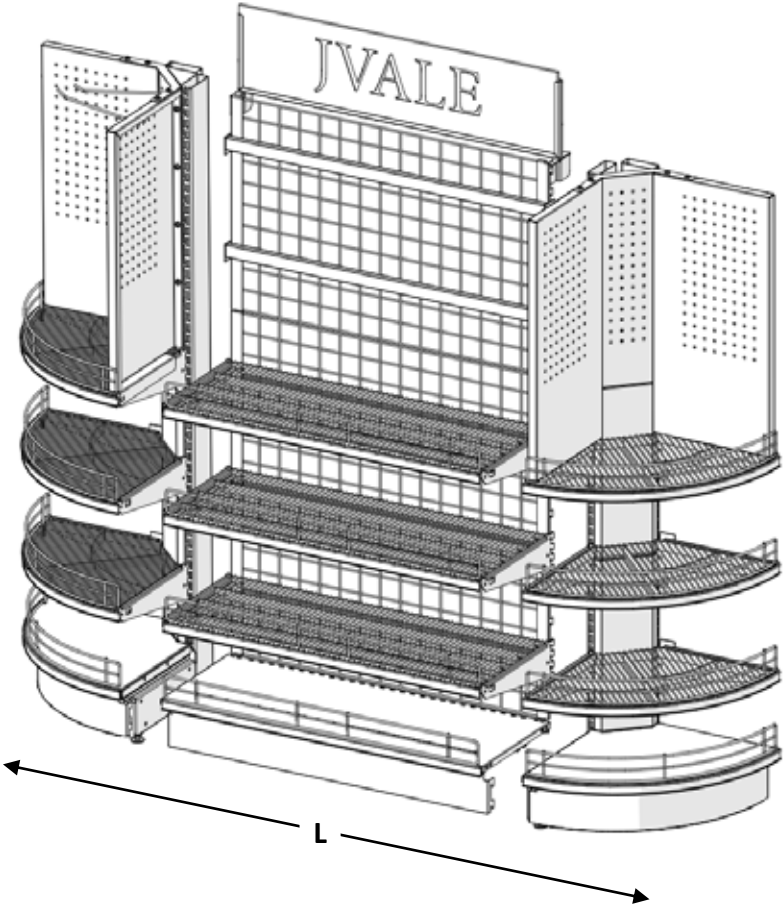
H (mm)	L (mm)	Product Code
500	385	M-ST-FK-1010



Checkout stands

A004

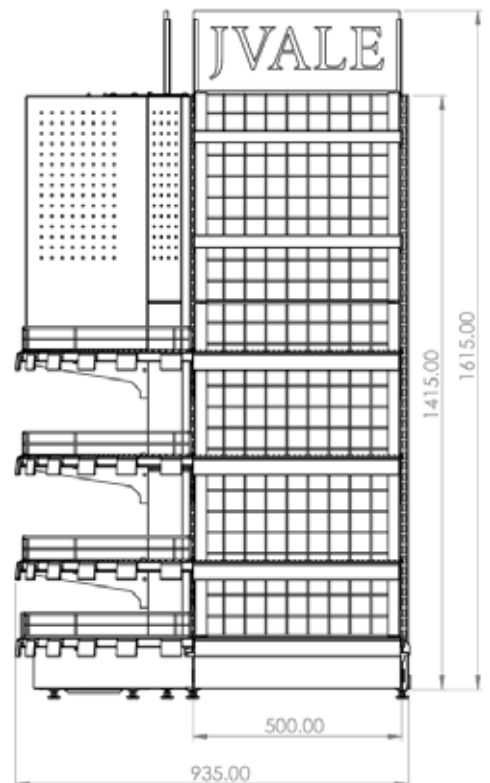
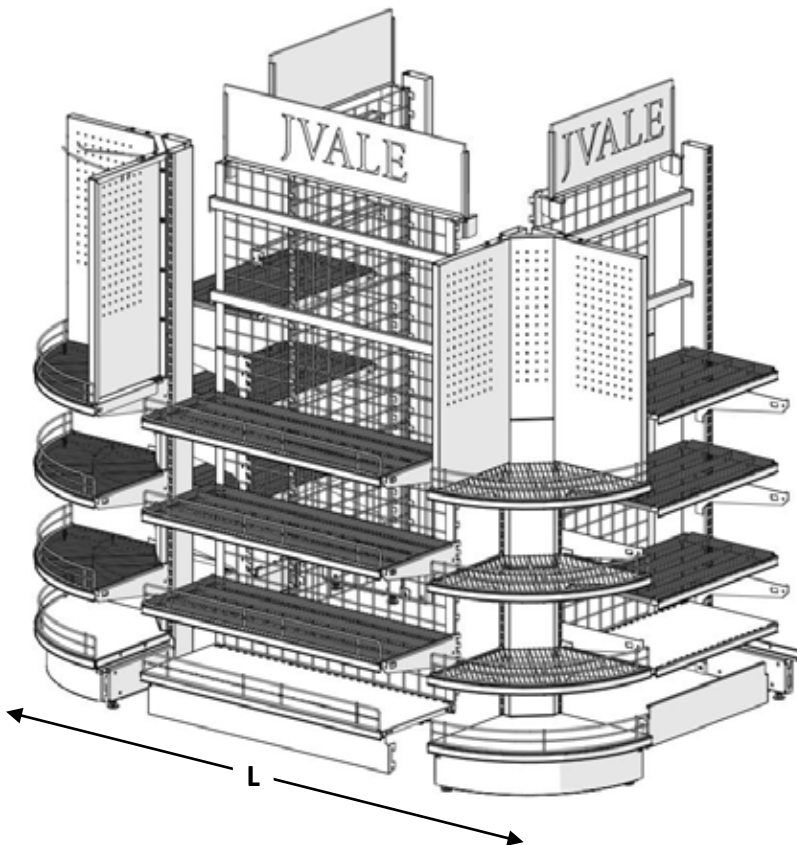
L (mm)	Product Code
1645	



Checkout stands

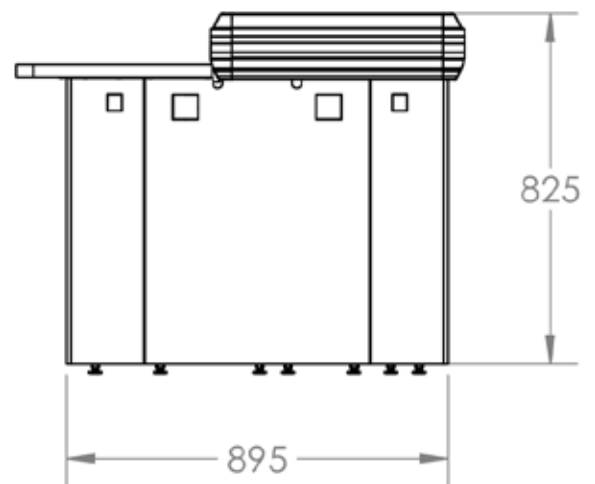
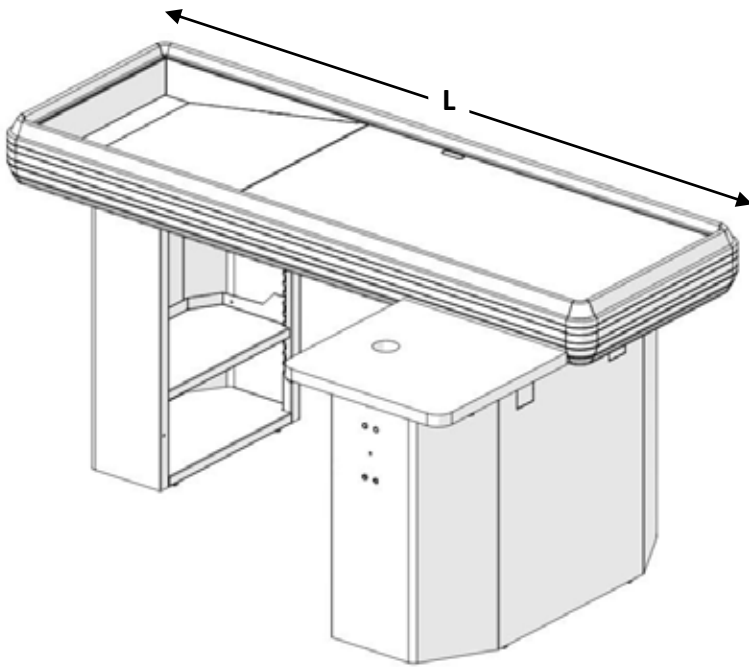
A004 with extension

A004 supports the addition of extended units to both its left and right flanks.



Onyx L-shape

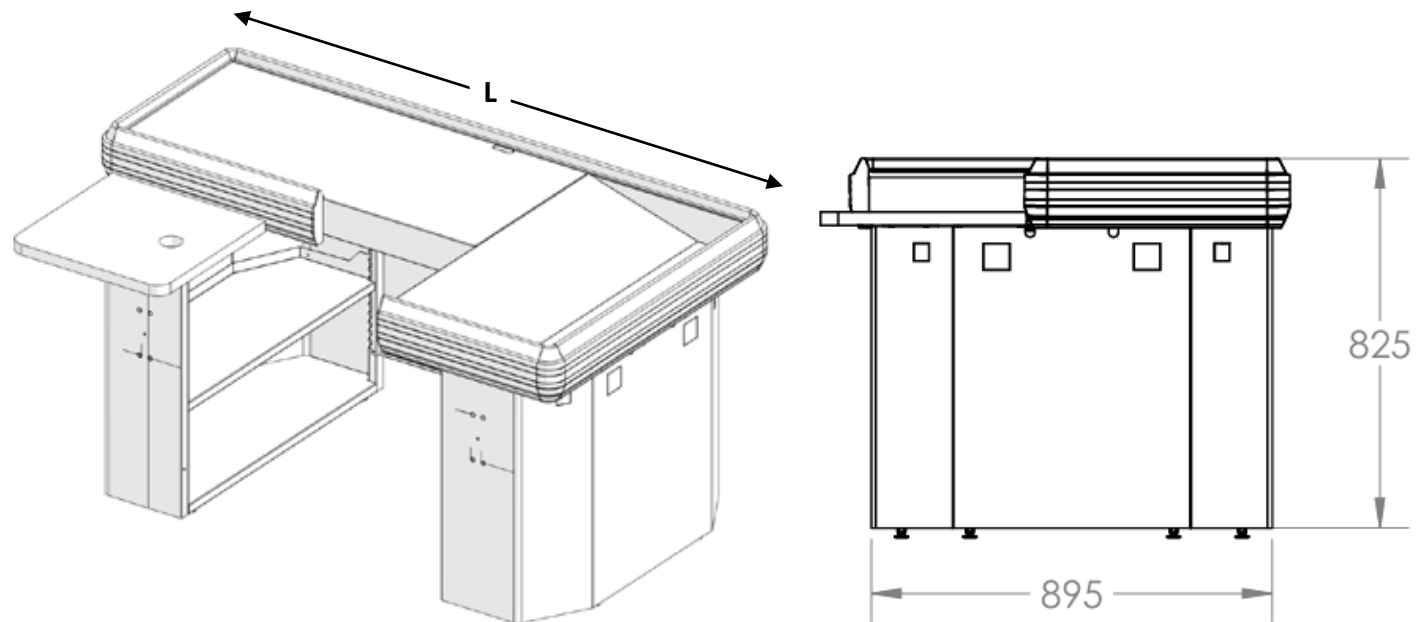
L (mm)	Product Code	
	Right	Left
1200	CH-F-L-1159	
1500	CH-F-L-1156	CH-F-L-1153
1700	CH-F-L-1157	CH-F-L-1154
1900	CH-F-L-1158	CH-F-L-1155



Checkout

Onyx U-shape

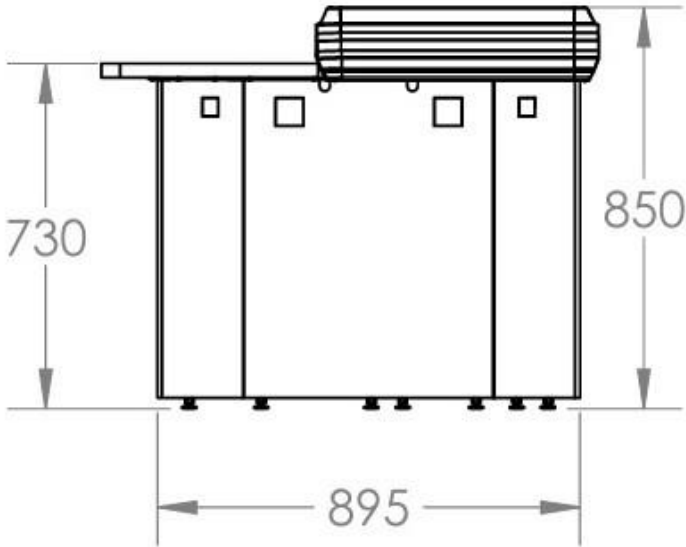
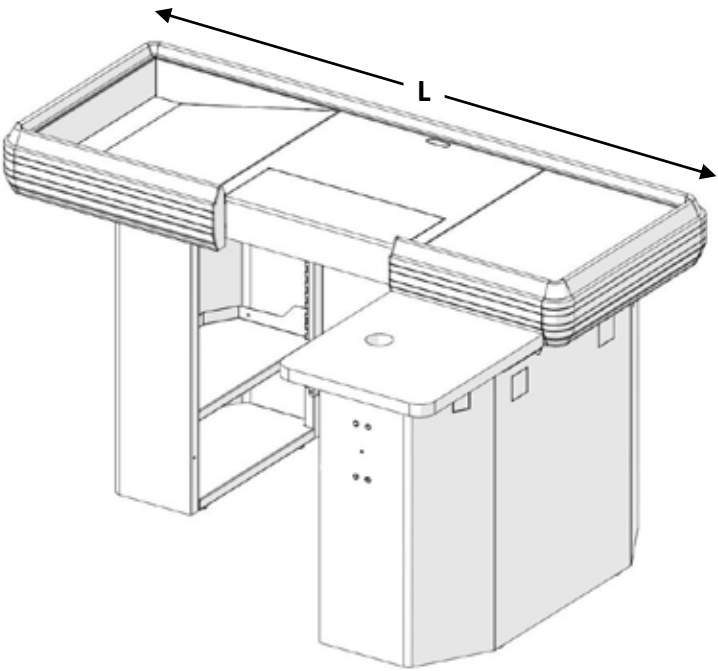
L (mm)	Product Code	
	Right	Left
1700	CH-F-U-1163	CH-F-U-1160
1900	CH-F-U-1164	CH-F-U-1161
2200	CH-F-U-1165	CH-F-U-1162



Checkout

Onyx L-shape with cash drawer

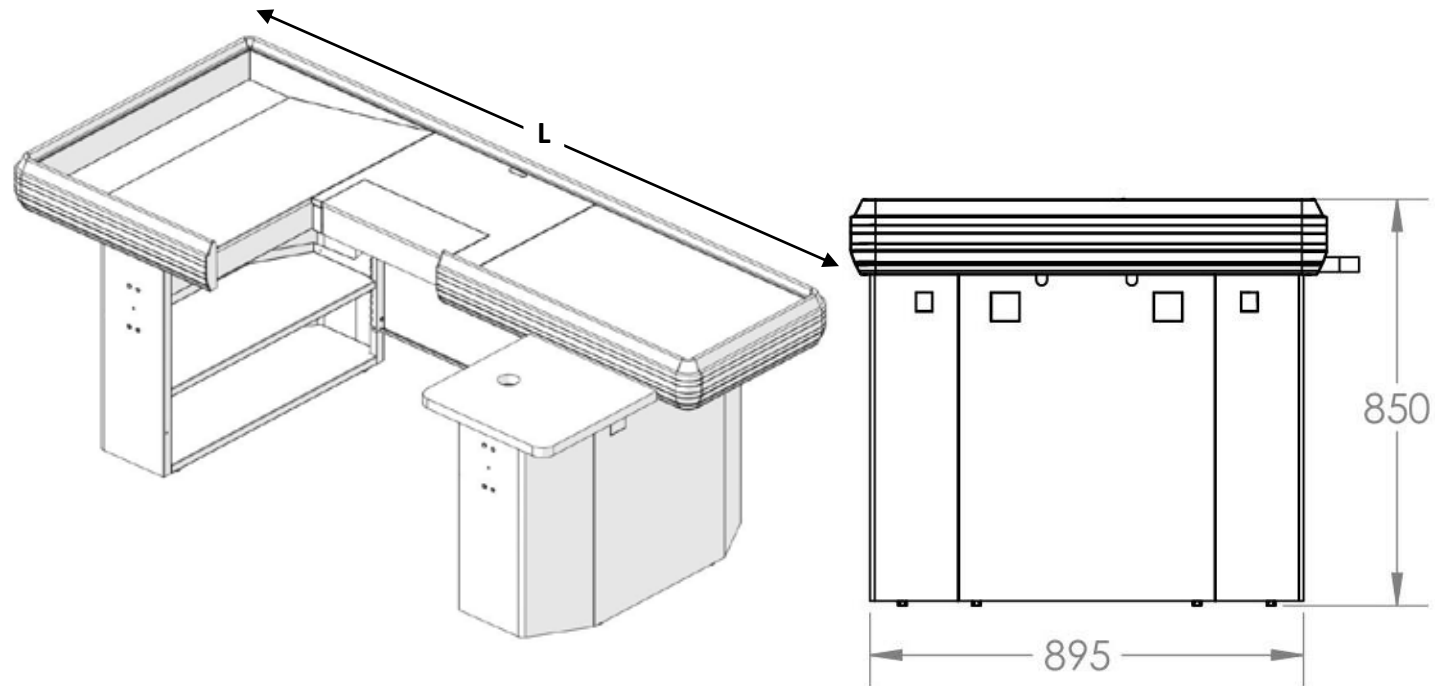
L (mm)	Product Code	
	Right	Left
1500	CH-F-L-1167	CH-F-L-1166



Checkout

Onyx U-shape with cash drawer

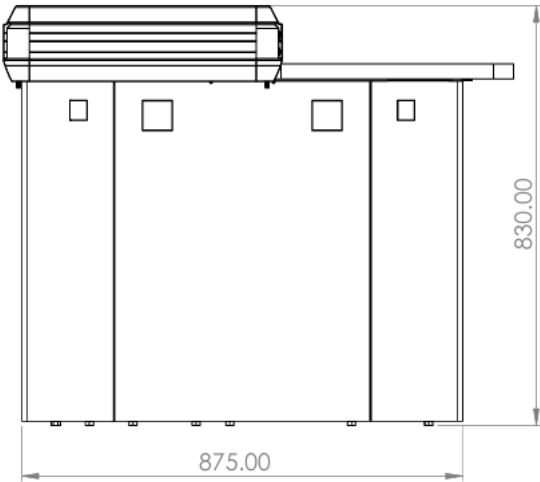
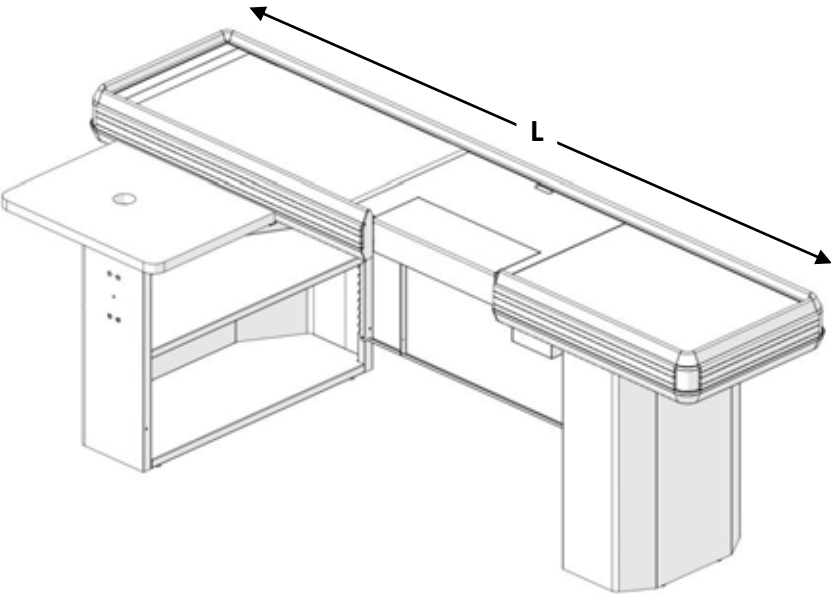
L (mm)	Product Code	
	Right	Left
1900	CH-F-U-1171	CH-F-U-1168
2200	CH-F-U-1172	CH-F-U-1169
2500	CH-F-U-1173	CH-F-U-1170



Checkout

Onyx L-shape with conveyor belt - flat rear

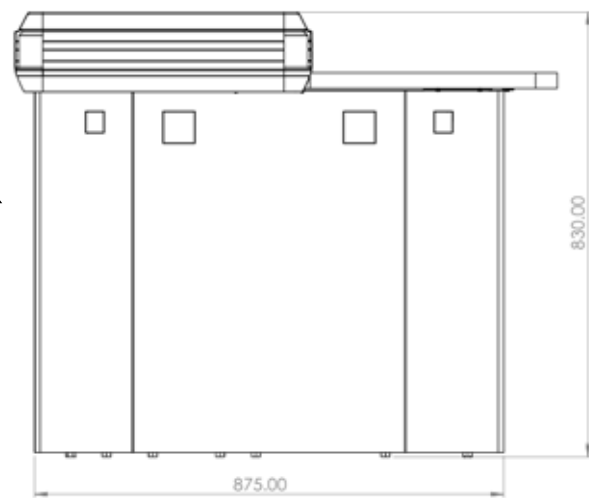
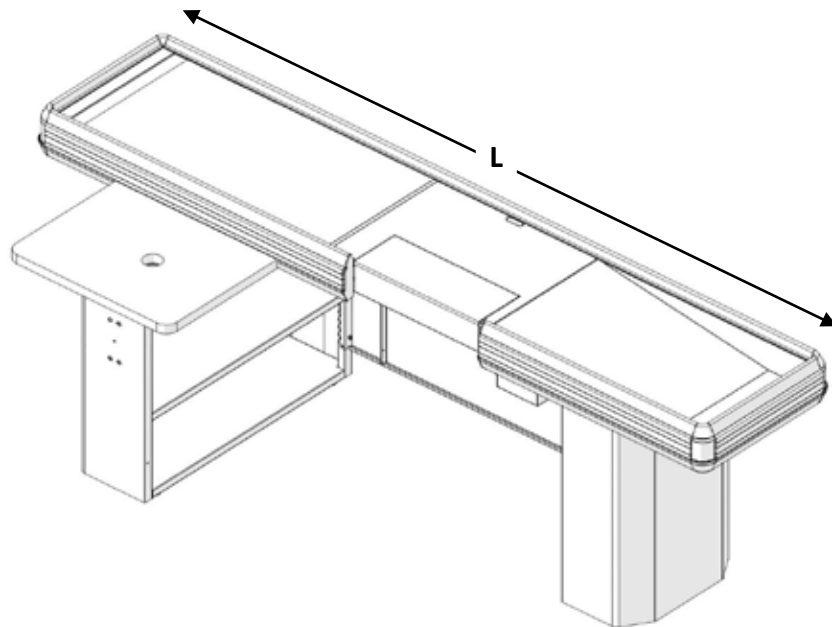
L (mm)	Product Code	
	Right	Left
2300	CH-F-WB-1175	CH-F-WB-1174



Checkout

Onyx L-shape with conveyor belt - inclined rear

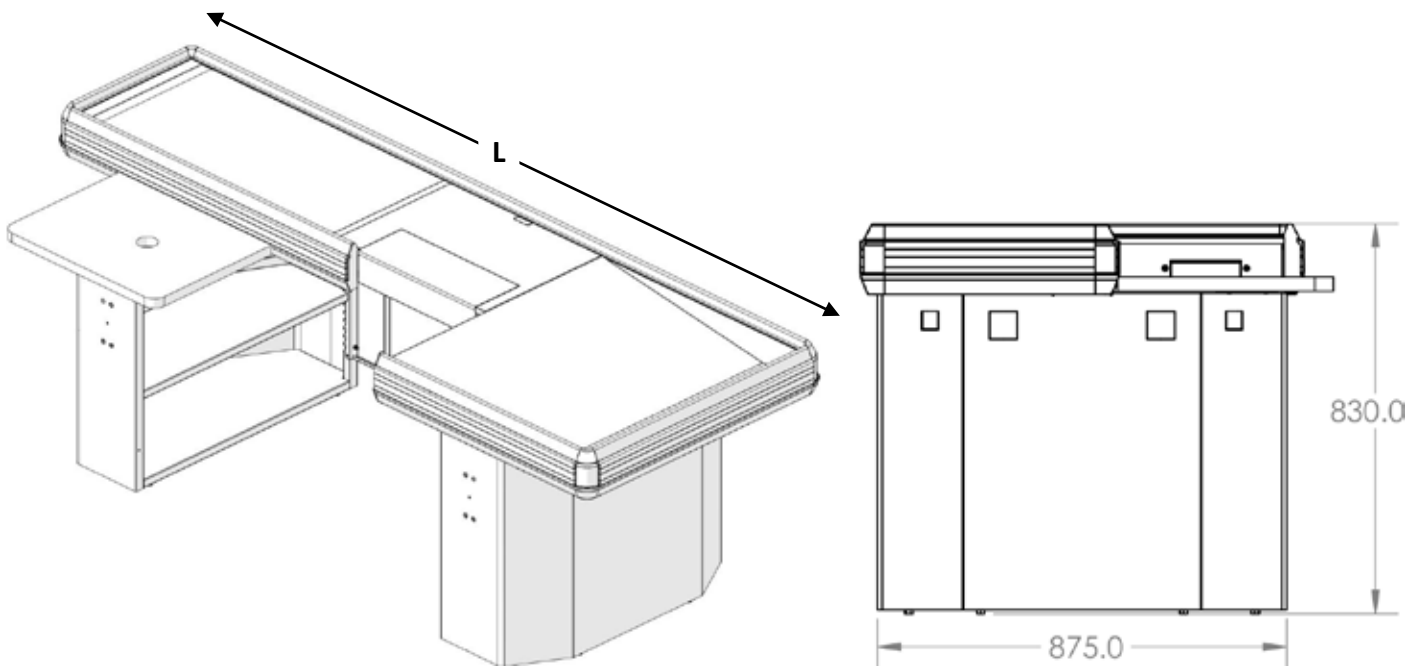
L (mm)	Product Code	
	Right	Left
2500	CH-F-WB-1177	CH-F-WB-1176



Checkout

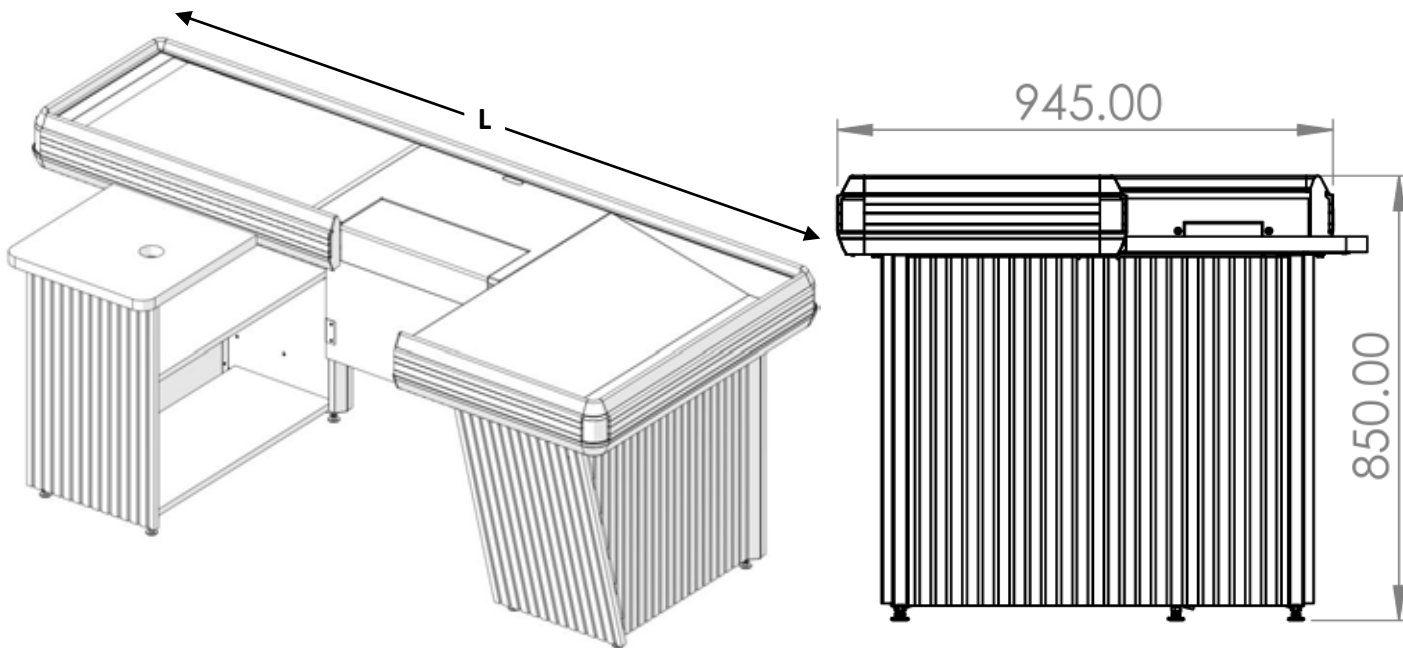
Onyx U-shape with conveyor belt - inclined rear

L (mm)	Product Code	
	Right	Left
1900	CH-F-WB-1180	CH-F-WB-1178
2500	CH-F-WB-1181	CH-F-WB-1179



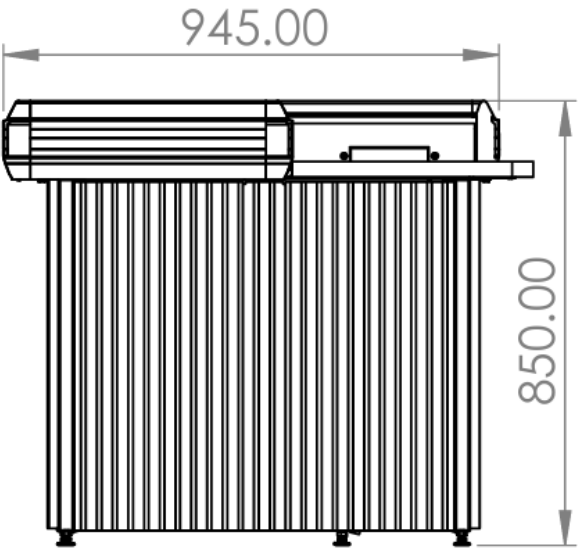
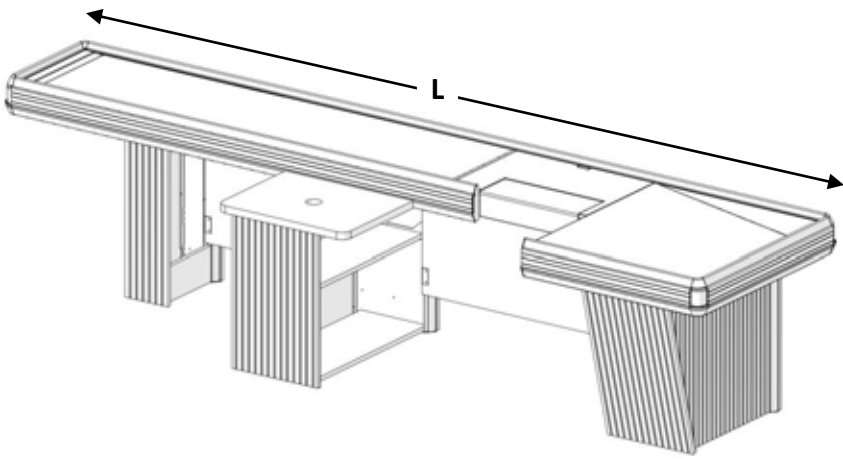
Emerald U-shape with conveyor belt - inclined rear

L (mm)	Product Code	
	Right	Left
1900	CH-F-WB-1148	CH-F-WB-1143
2100	CH-F-WB-1149	CH-F-WB-1144
2500	CH-F-WB-1150	CH-F-WB-1145



Emerald U-shape with conveyor belt - inclined rear

L (mm)	Product Code	
	Right	Left
3000	CH-F-WB-1151	CH-F-WB-1146
3500	CH-F-WB-1152	CH-F-WB-1147



Checkout

Express checkout

L (mm)	Product Code
1500	CH-F-EX-1253

